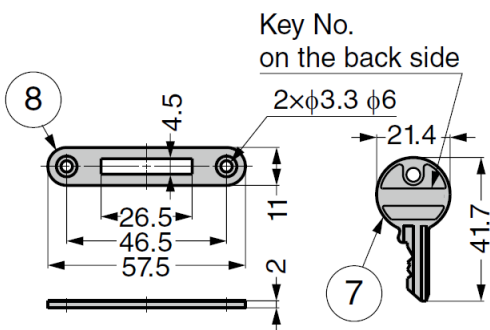
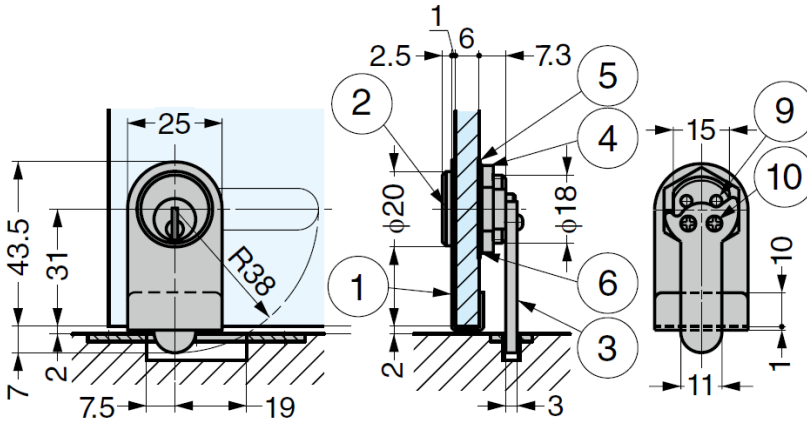
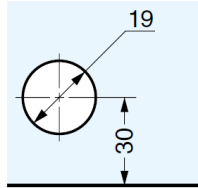
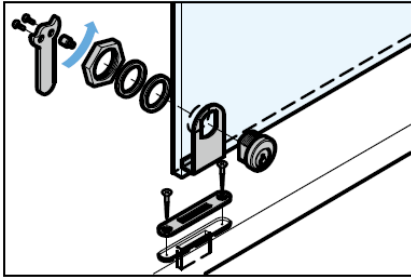


G1100GLM-B Glass Door Cam Lock

Features

- Key is removable in locked position only
- Available for both right and left swing door
- 25 key changes available.



No.	Part Name	Material	Finish/Colour
①	Front Plate	Brass	Clear Coated
②	Body	Brass	Clear Coated
③	Cam	Steel	Brass
④	Hex Nut	Brass	Plain
⑤	Plastic Washer	PA	Natural
⑥	Washer	Steel	Chrome
⑦	Key	Brass	Clear Coated
⑧	Counter Plate	Steel	Brass
⑨	Screw (Stopper for the Cam)	Brass	Plain
⑩	Screw (for Installing Cam) (Pan Head Screw M2.6 x 6)	Steel	Clear Zinc Chromate

Part No.	Key Type	Glass Thickness	Finish
G1100GLM-B	Keyed Differently	4 ~ 6	Clear Coated
G1100GLM-D	Keyed Alike		
G1100GLCR-B	Keyed Differently		Chrome
G1100GLCR-D	Keyed Alike		